



Creative Solutions
For Gamers

PERIPHERALS

BLOODFOUNTAIN

PINIONS

SPECTRES

MANUAL





WARNINGS

Risks related to the installation and use of the product and the rules / warnings that the consumer should follow when assembling the product:

1. The product should be installed on the wall by a qualified technician, installation of the product by non-professionals may cause damage to the product or personal injury;

2. When assembling the device, use the accessories and parts supplied with the product. Other accessories, not provided by the manufacturer, may not support the weight of the product, which may result in it falling and causing damage and personal injury;

3. When mounting the product on a wall, the following areas should be avoided to ensure safety, high performance of the product and prevent product failure:

- do not install the product in a place susceptible to vibrations and impacts - the fixings of the product may become loose and the product may fall and become damaged and cause personal injury;

- do not install the product near fire sprinklers - the heat generated by the product may activate the sprinkler, which will flood the device; this may in turn cause a short circuit or electric shock from computing devices installed on the product;

- do not install the product near heating devices - the product may overheat and not work properly;

- do not install the product in a place where electric cables run (including in the wall) - when installing the product, the cable may be punctured, which may result in electric shock or even death;

- do not install the product in a place where water supply pipes run (including in the wall) - when installing the product, the pipe may be punctured, which may flood the device; this may in turn cause a short circuit or electric shock from computing devices installed on the product;

- do not mount the product on a wall that will not support its weight (e.g. plasterboard walls) - the product may fall and become damaged and cause personal injury;

- do not install the product near kitchen worktops and air humidifiers, where it will be exposed to fats, moisture or oil mist - this may cause damage to the product and its fall, and personal injury, including electric shock;

- do not install the product in places where it may be splashed, for example under shelves with items filled with water or liquid - items with water or other liquid may drip onto the product; the above may result in flooding the product and damage to the product, or personal injury, including electric shock;

4. Applying excessive force while driving the screws may damage the wall - which may affect the performance of the product or damage it;

5. Do not allow children to play near the product unsupervised. Children may hit their head or body in angles causing injury; [maybe it is worth indicating at what height the product should be mounted?]

6. Do not clean the product with wet towels or other objects that generate moisture - moisture may get into the product, which may damage the product;

7. Do not touch the product during a lightning storm - it may cause a lethal electric shock. Make sure that any electrical devices mounted on the product are disconnected from the power grid during a lightning storm - it may cause a lethal electric shock;

8. Do not place metal or flammable objects inside the product - it may cause fire or damage to the product;

9. Clean the product after disconnecting it from the power supply, using a soft, dry cloth. Do not spray water and other liquids directly on the product, and use chemical preparations such as cleaning agents for cleaning windows, air fresheners, insecticides, alcohol - this may damage the product or electric shock;

10. Do not touch the product with sharp or metal objects, e.g. nails or pens - these actions may damage the product or other devices mounted to the product;

11. The product is not intended for use by people (including children) with reduced physical, sensory or mental abilities or by people without appropriate experience and knowledge;

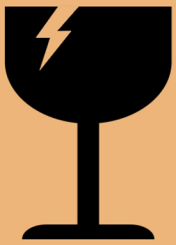


WARNINGS

The manufacturer is not liable for material or personal damage resulting from failure to comply with the assembly instructions and the rules of safe use of the product.

Fittings for watercooling require only a small amount of force to screw them firmly in place since the liquid seal is ensured by the rubber O-ring gaskets. If tightening too hard the acrylic in the distributionplate may crack.

INFORMATION FOR DELIVERY AND STACKING



FRAGILE



HANDLE WITH CARE



DO NOT STEP



DO NOT DROP



STACK CORRECTLY



DO NOT ROLL



DO NOT SIT



PACKAGE WEIGHT



STACKING LIMITATION



DO NOT LIFT

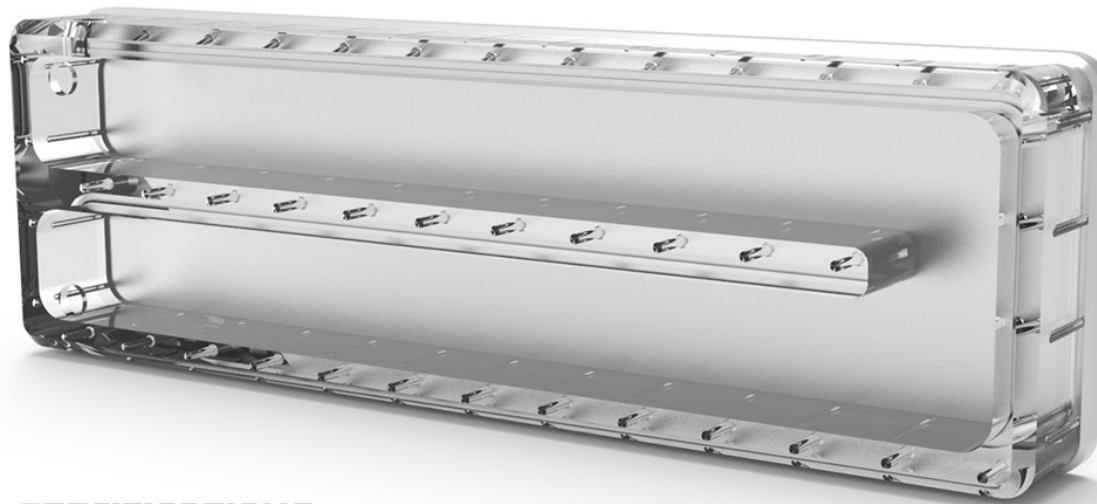


STORE IN INDOOR

BLOODFOUNTAIN



Creative Solutions
For Gamers



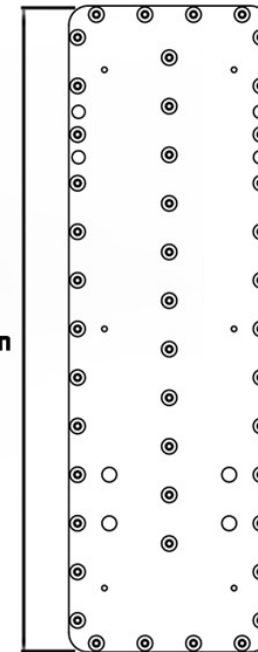
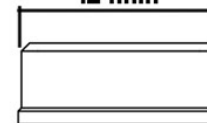
399mm

124mm

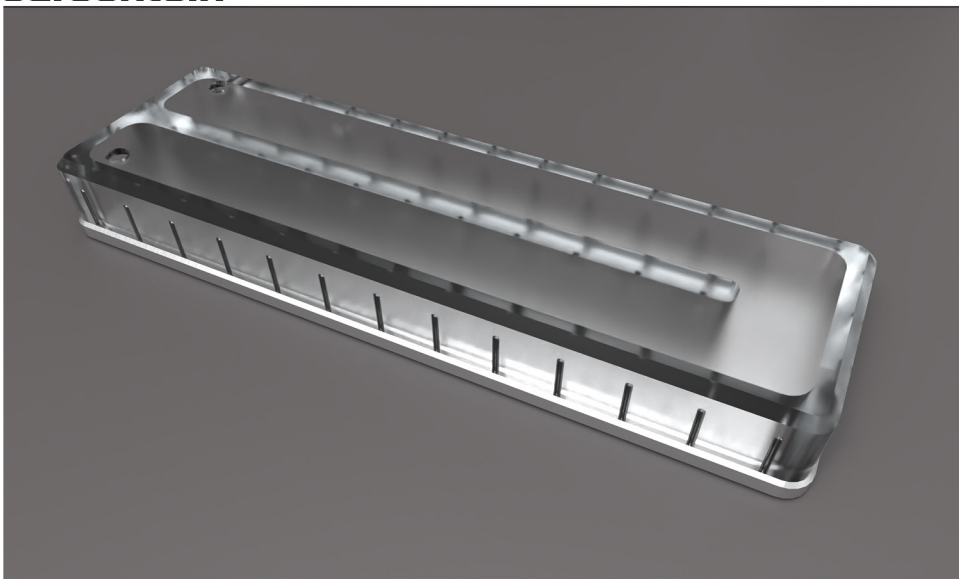
50mm

SPECIFICATIONS

LENGTH:	399mm
WIDTH:	124mm
HEIGHT:	50mm
WEIGHT:	2300g
CAPACITY:	1000ml



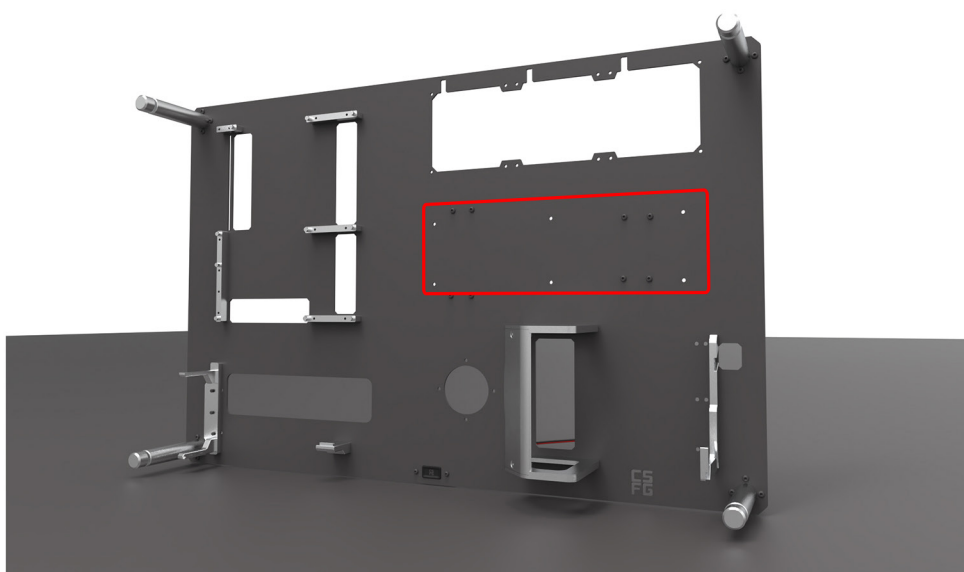
Bloodfountain



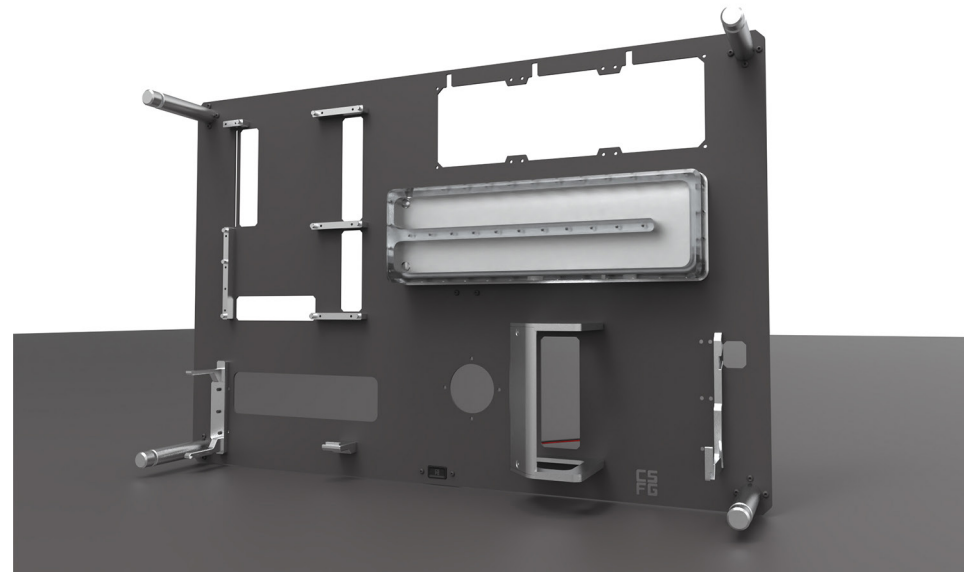
- 1** The Bloodfountain contains one acrylic and one aluminum element, already connected. Be very careful with it as it's easily scratch and crack if not handled with care.



- 2** To avoid scratches you can use the styrofoam from the packaging as a protective base.

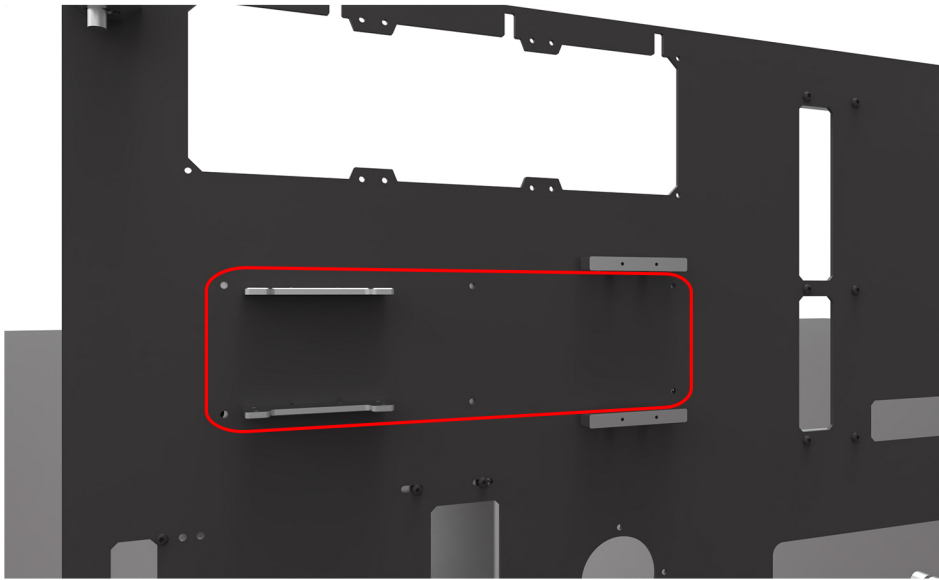


- 3** Tower of Doom can house only one Bloodfountain. Its is placed in the area shown in the picture above.

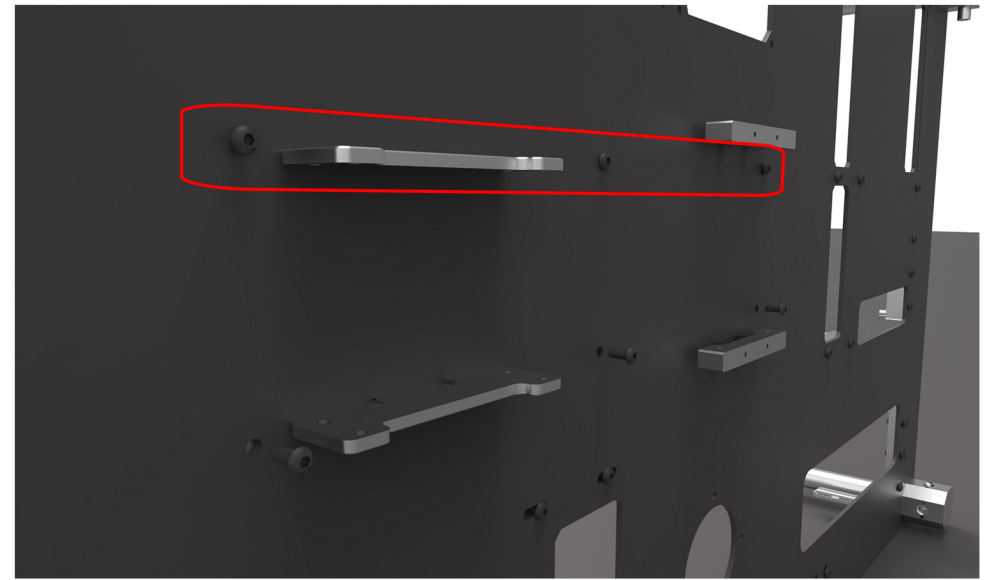


- 4** The picture above shows how the Bloodfountain should be placed.

Bloodfountain



- 5** Backside of our chassis. There are 6 holes for M4x8mm screws attached for Bloodfountain.



- 6** We recommend to tighten first upper row of screws. It will help to settle down heavy Bloodfountain.



- 7** Later on, tighten rest of screws, carefully check if all of them are settled correctly.

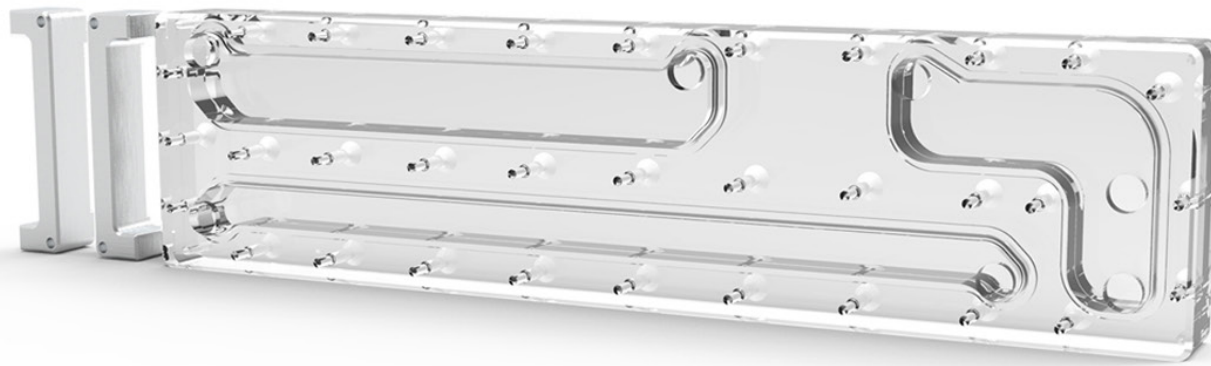


- 8** Important! This is correct position for Bloodfountain. Check if surface of aluminum part has no gap between the wallmount chassis.

PINION



Creative Solutions
For Gamers

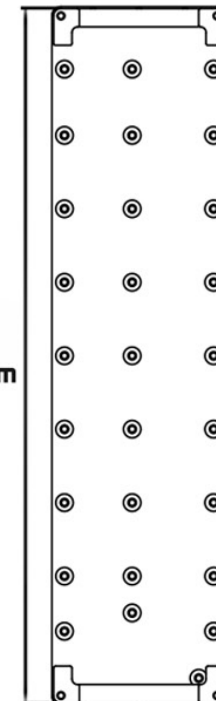


380mm

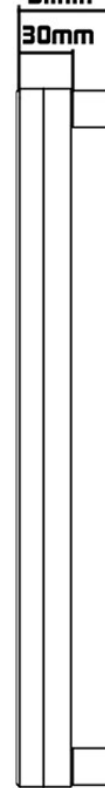
SPECIFICATIONS

LENGTH:	380mm
WIDTH:	95mm
HEIGHT:	30mm
WEIGHT:	984g
CAPACITY:	250ml

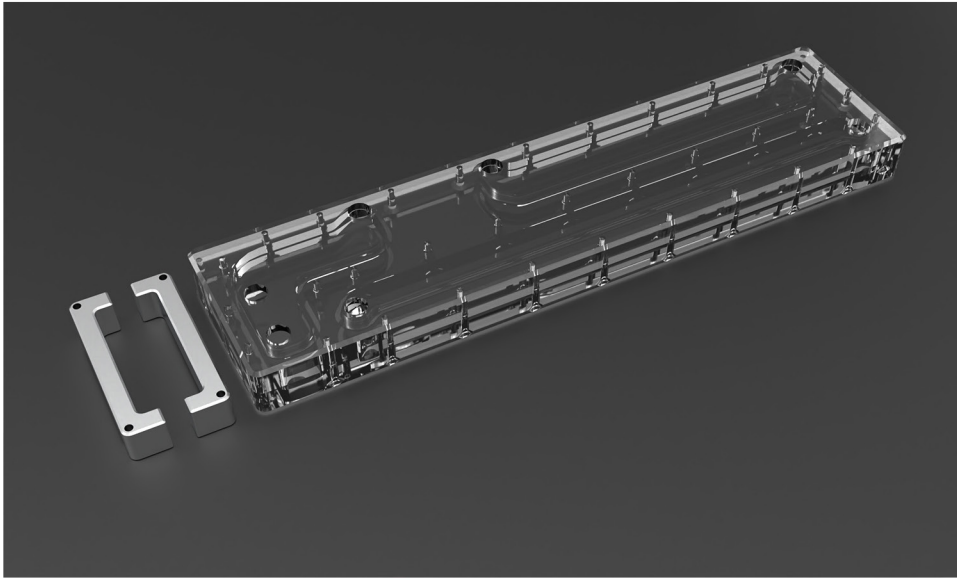
95mm



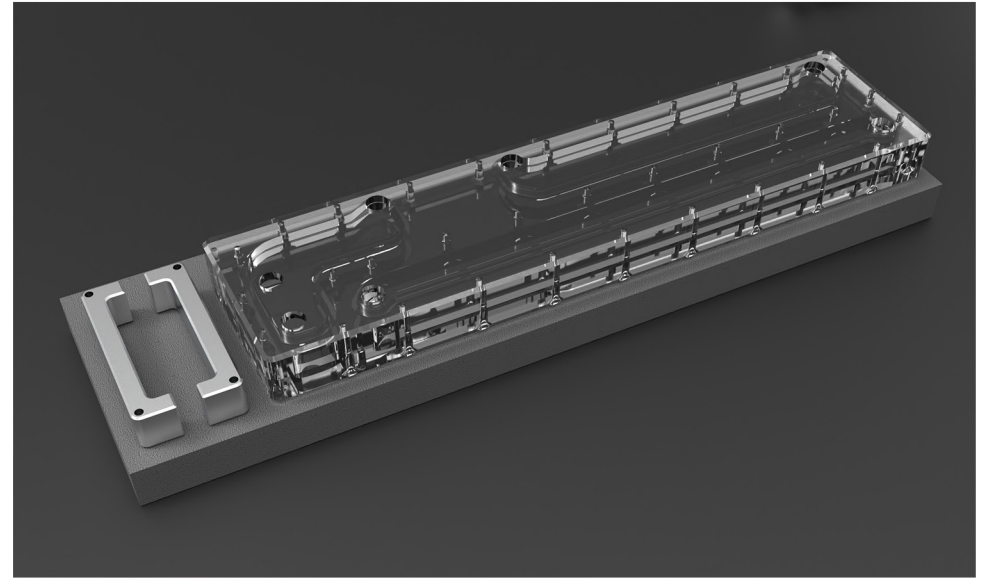
51mm
30mm



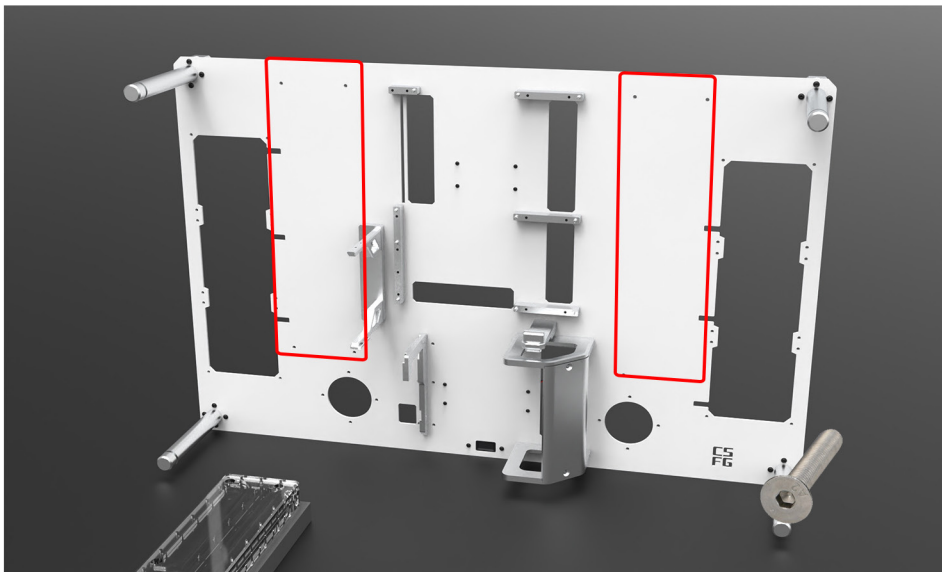
Pinion



- 1** The pinions contains one acrylic element and two aluminum elements. Be very careful with the acrylic element as it's easily scratch and crack if not handled with care.



- 2** To avoid scratches you can use the styrofoam from the packaging as a protective base.



- 3** The Crow can house two pinions, they are placed in the areas shown in the picture above.



- 4** The picture above shows how the brackets should be placed.

Pinion



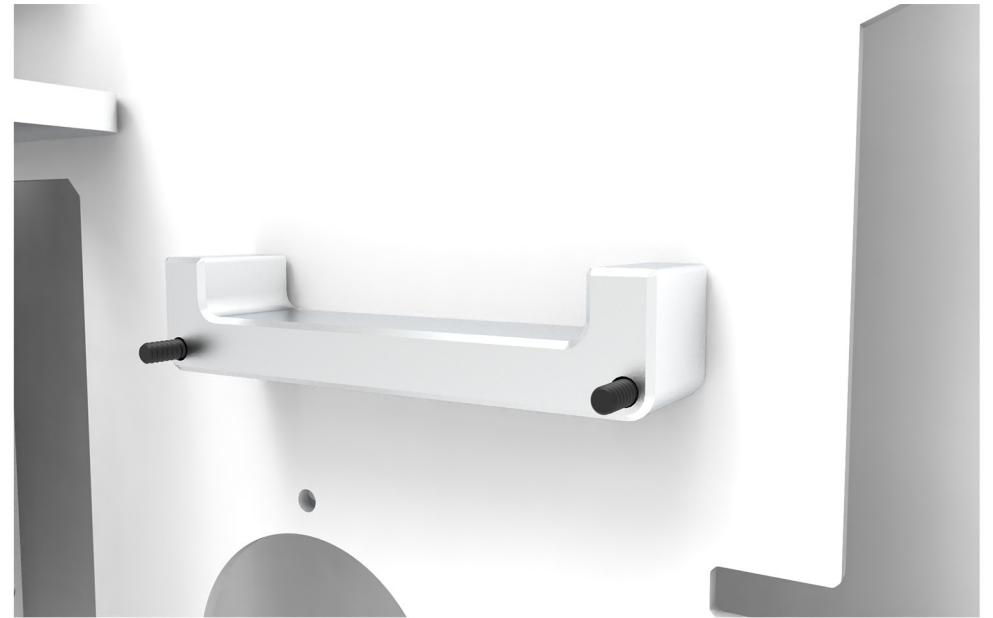
- 5** The pinions are attached to the chassis with 2 pieces of M4x30mm screws along with silicon pads from the backside.



- 6** Insert them to their full length as shown in the picture.



- 7** Now from the front, place the aluminum brackets on the screws as shown in the picture above.

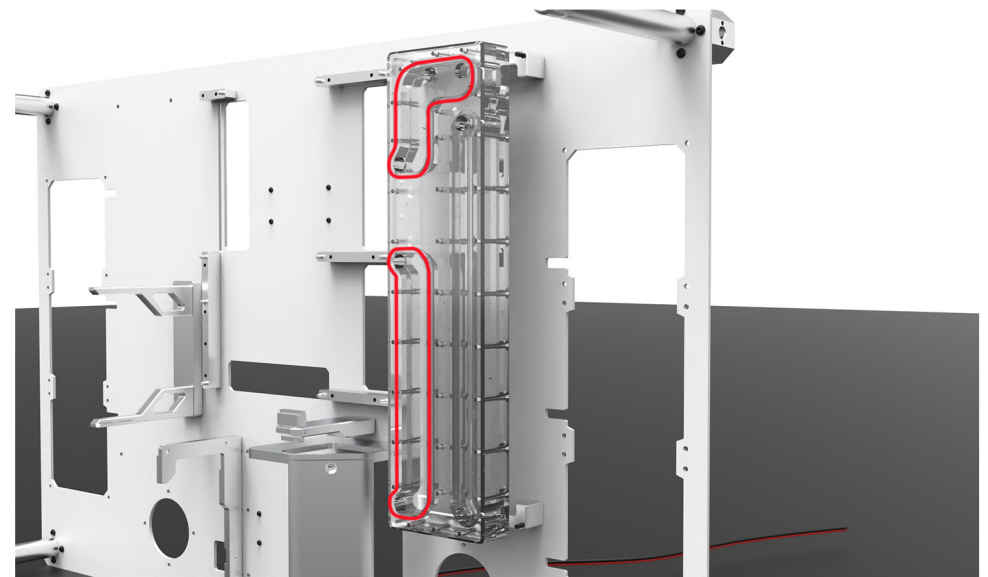


- 8** Important! This is correct position for our lower bracket for Pinion. The corners point upwards.

Pinion



- 9** View from frontside of our chassis. Just to be clear - your current status with Pinion should look like that.



- 10** Carefully place the acrylic Pinion aligned with it's screw-holes on the screws. The picture above shows the standard placement of the Pinion for ensured watertubing compatibility.

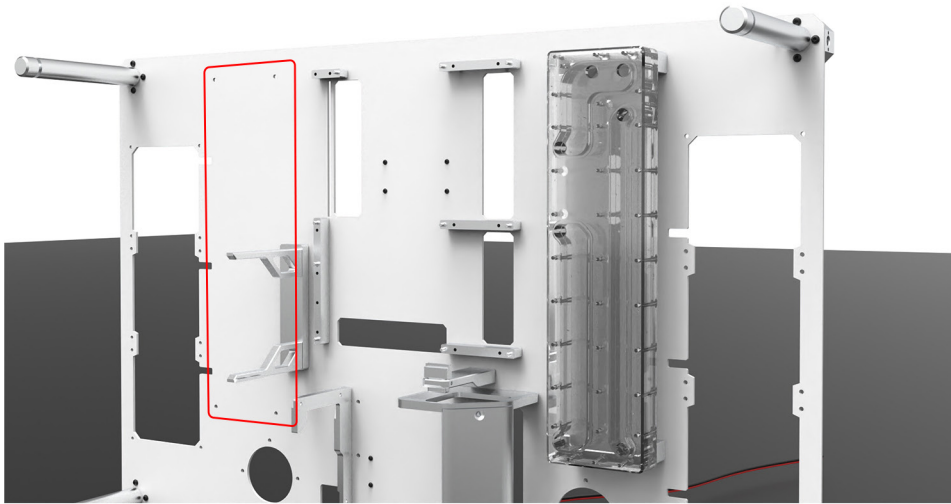


- 11** Gently press the acrylic Pinion towards the screws while simultaneously tightening the screws from the backside. Take care no to tighten too hard as the acrylic might crack.

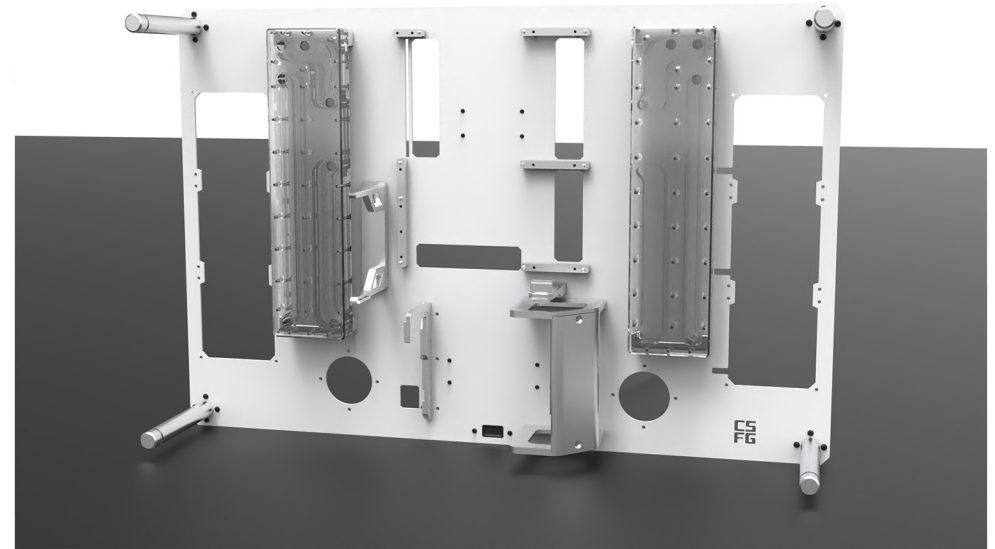


- 12** The screws are only to be tightened so that there are no gap between the acrylic and aluminum and the aluminum and the chassis.

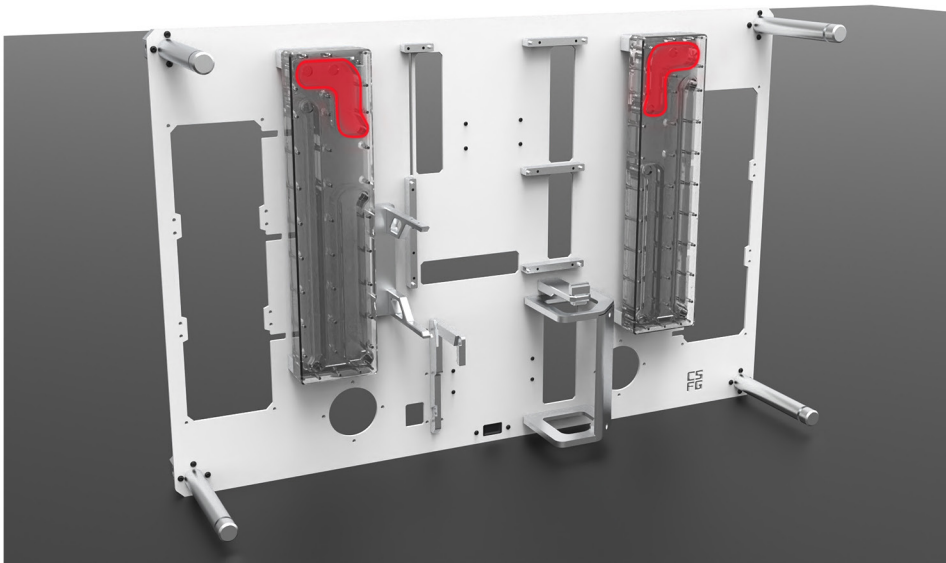
Pinion



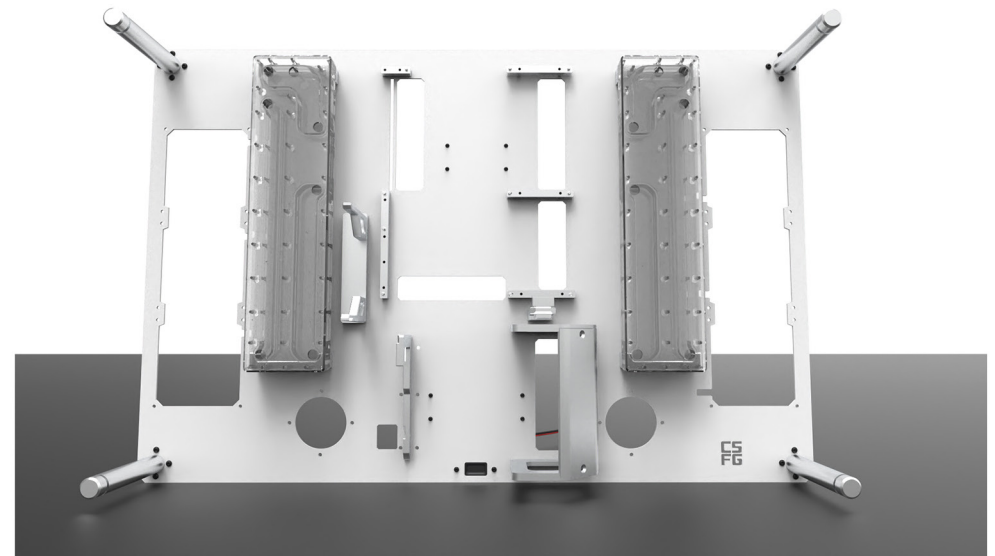
13 Now you repeat the process on the other side.



14 This is how it should look like with the Pinions mounted in the standard configuration.



15 The red markings show what you can look for to make sure you will have an easy time to do your custom-loop.



16 Check if there is no gap between surface of acrylic parts. Tighten all screws up. If all is set, you are done with Pinions!

SPECTRE

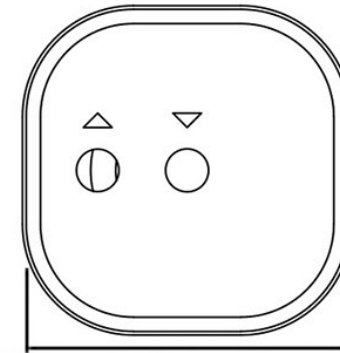


Creative Solutions
For Gamers

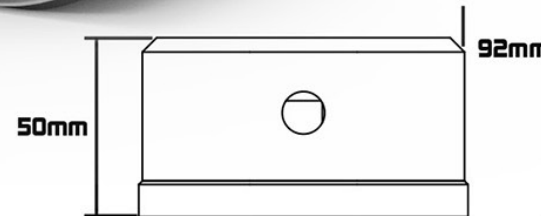


SPECIFICATIONS

LENGTH:	92mm
WIDTH:	92mm
HEIGHT:	50mm
WEIGHT:	390g

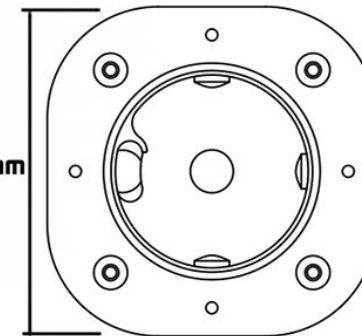


92mm

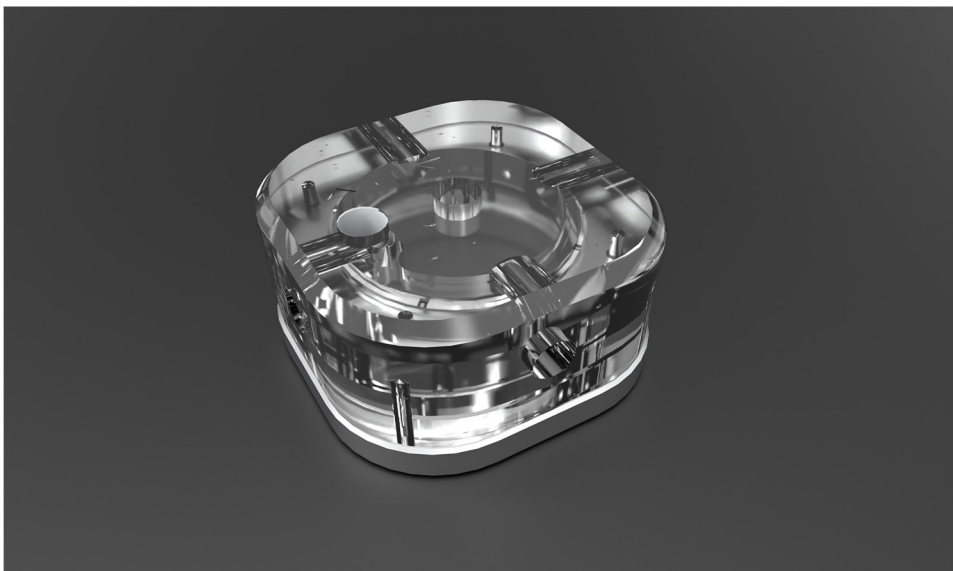


50mm

92mm



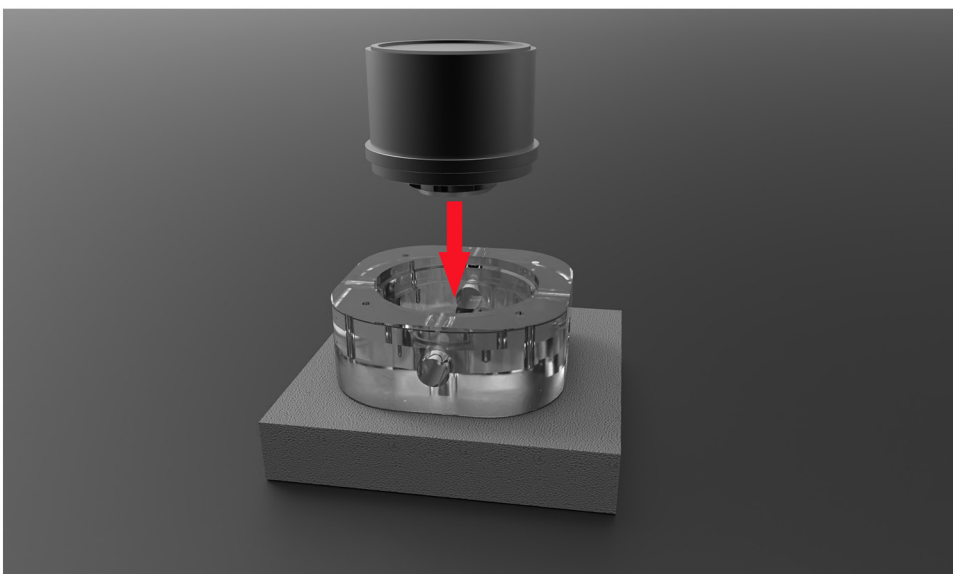
Spectre



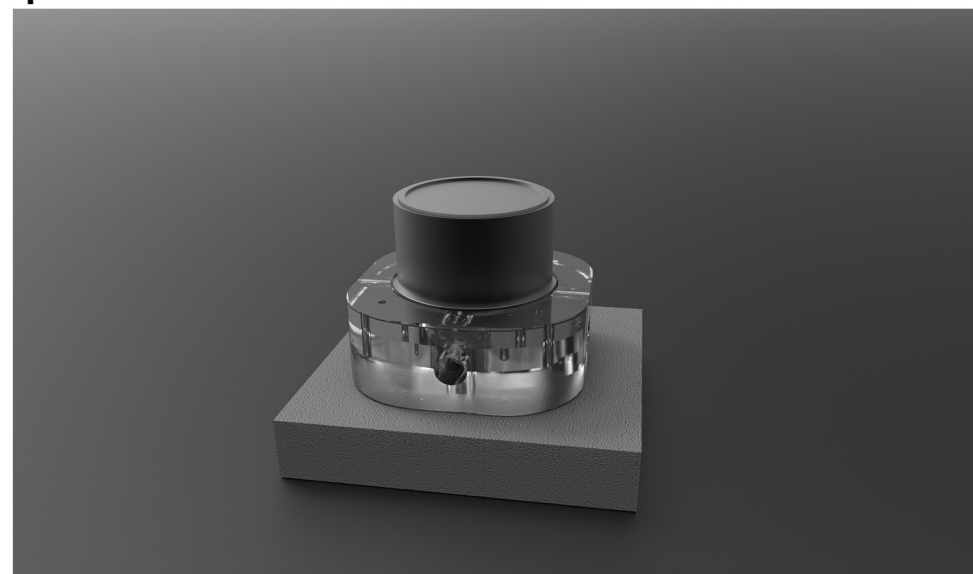
1 The next step is Spectre, peripheral for the DS pump.



2 The Spectre set contains: Acrylic top, aluminum base and a rubber gasket and 4 pieces of M4x8mm screws (black) and 4 pieces of M4x25mm screws (silver). The DS pump in the picture is not included in the set.

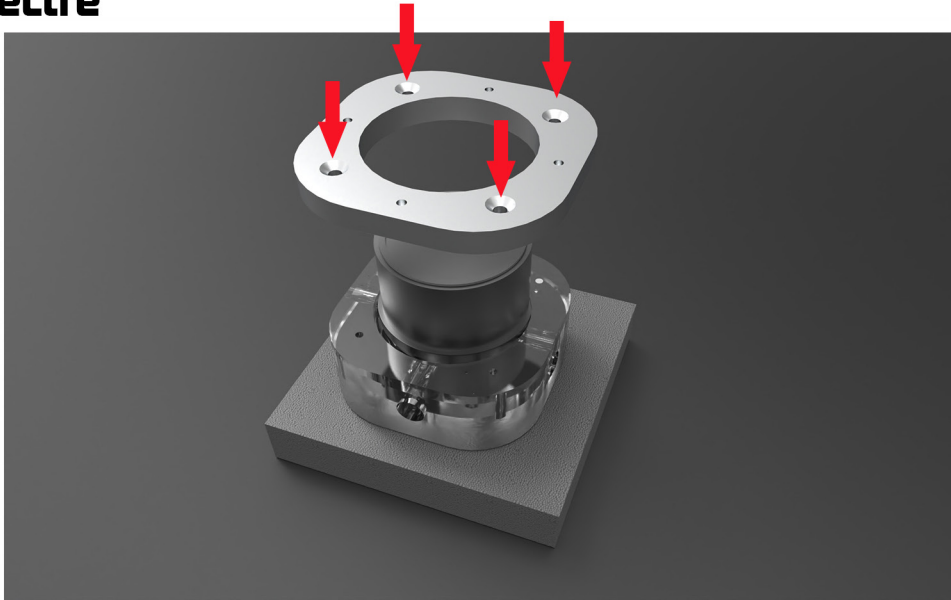


3 We strongly recommend to use the styrofoam from the box as a coaster to prevent scratches on the acrylic.

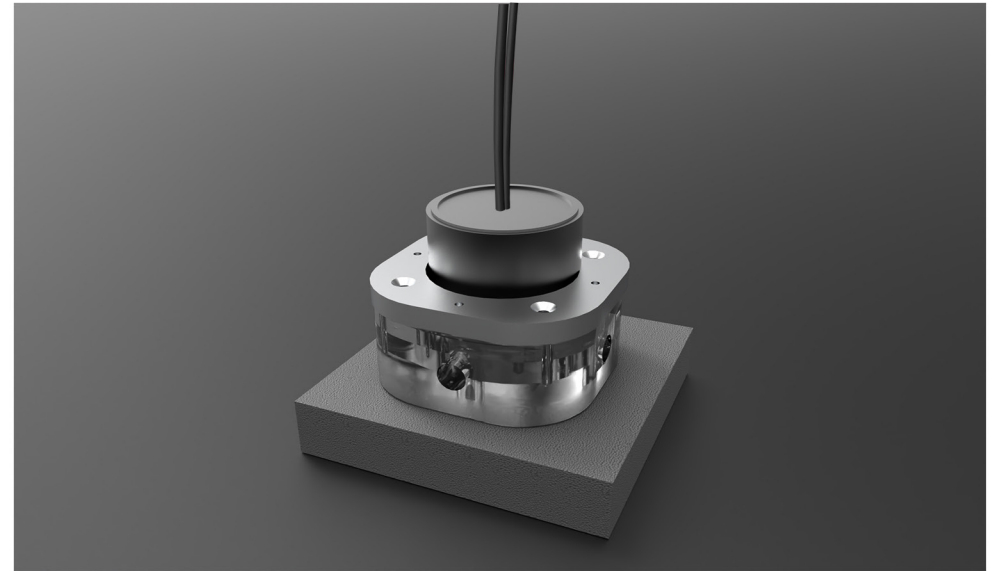


4 Place your rubber gasket in the Spectre and then place the DS pump in the Spectre as shown in the picture.

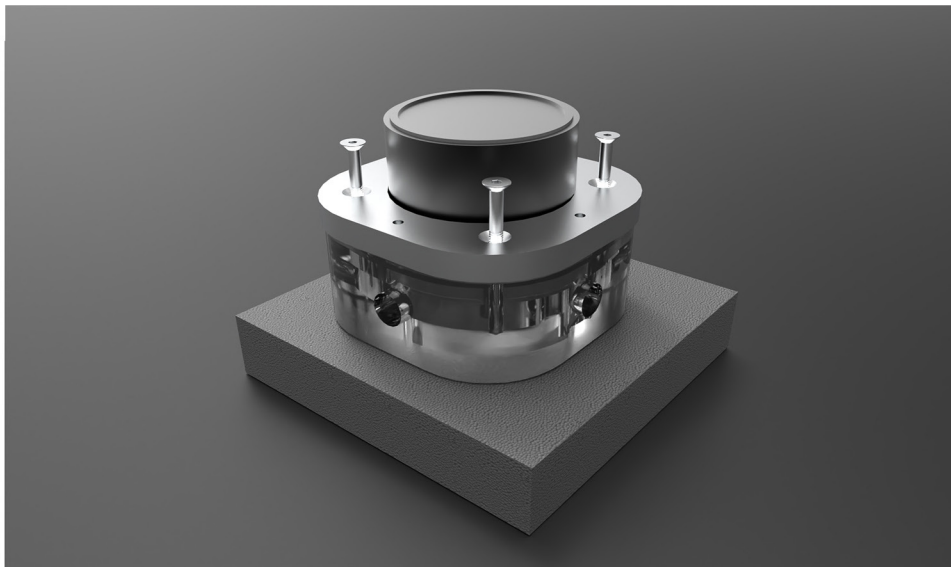
Spectre



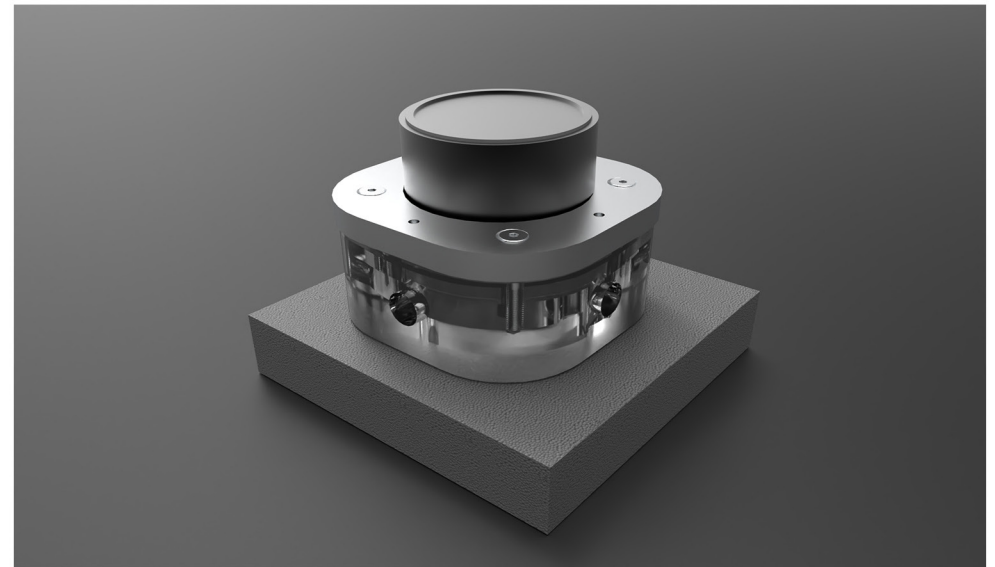
- 5** Place the aluminum base on the DS pump and the Spectre as shown in the picture above. Make sure that the countersunk screw holes are visible.



- 6** Carefully lie down our aluminium base. There will be wires going from DS pump - they have to be inside of hole in aluminium base.

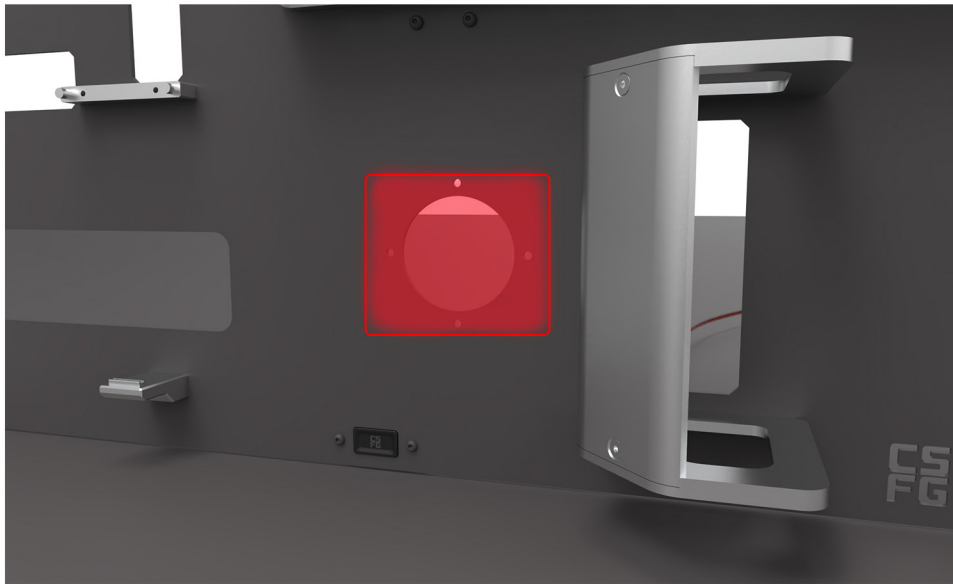


- 7** Use 4 pieces of M4x25mm screws to connect the aluminum base with the acrylic top.

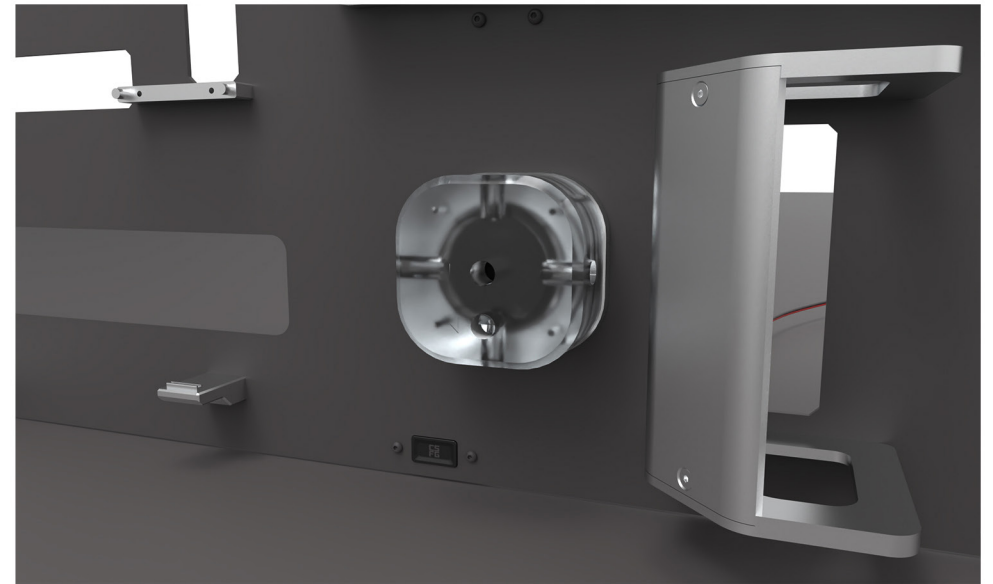


- 8** Tighten the screws carefully with the allen key, making sure not to tighten too hard which might make the acrylic crack.

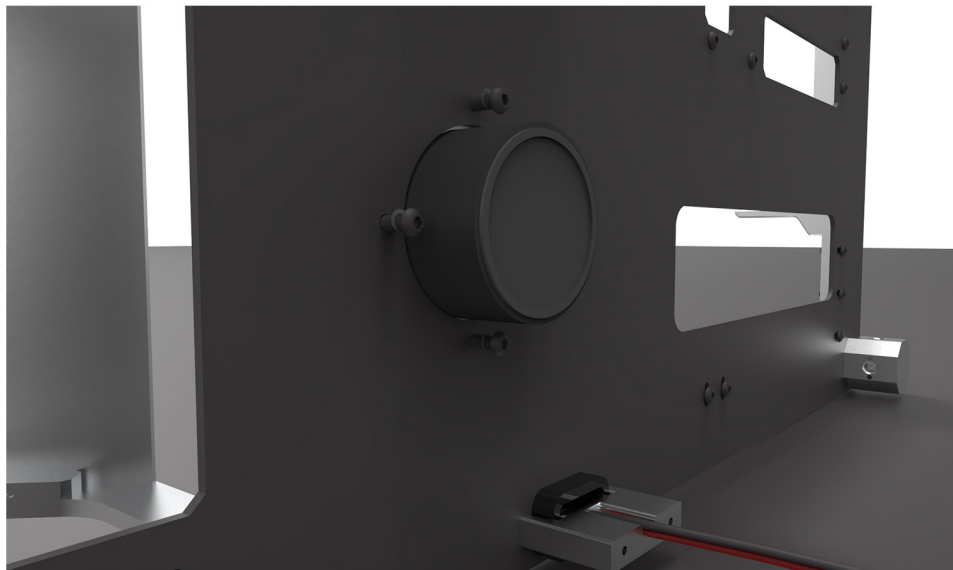
Spectre for Tower of Doom



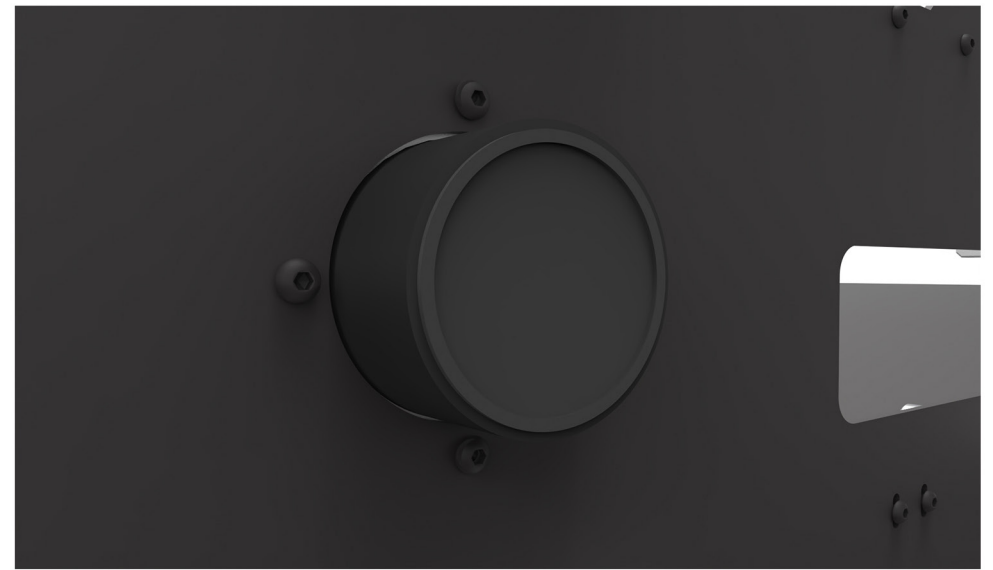
- 9** There is only one area where you can fit your Spectre - shown in red rectangle in the picture above.



- 10** This is how it should fit on wallmount. Check the position between Spectre and wallmount chassis. There should not be any gap.

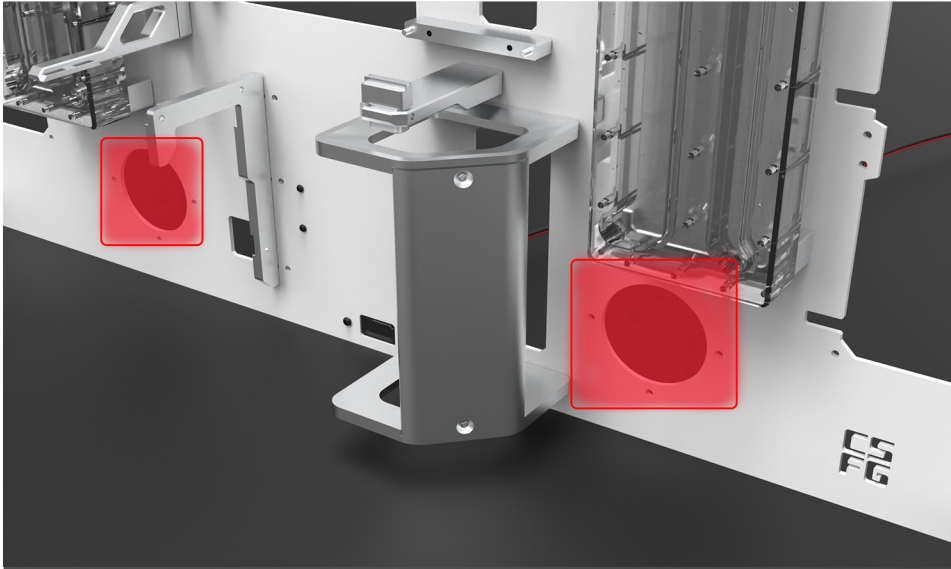


- 11** Use 4 pieces of M4x8mm screws (black) with silicon washers to fasten the D5 pump to the chassis.

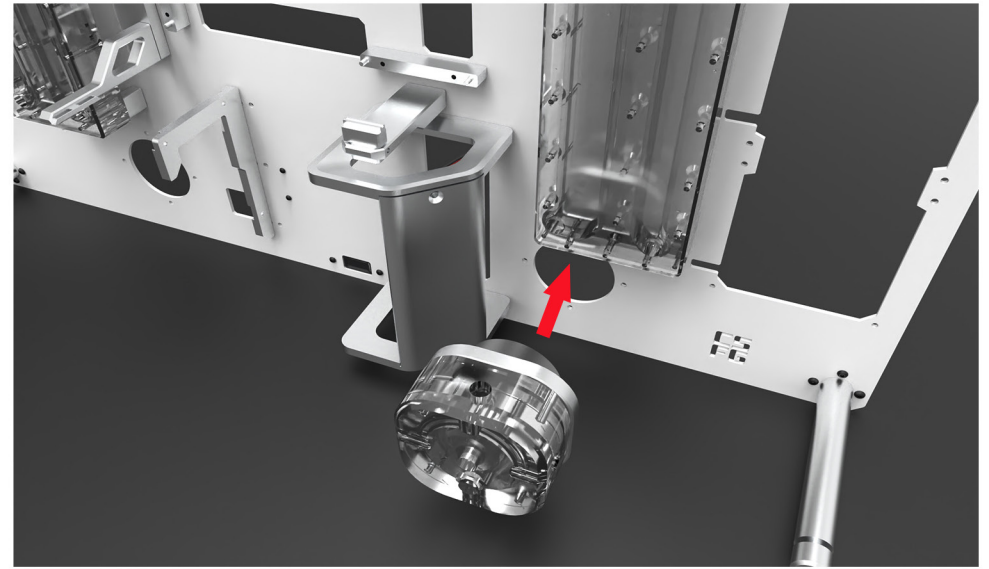


- 12** Tighten the screws with allen key until it's secure.

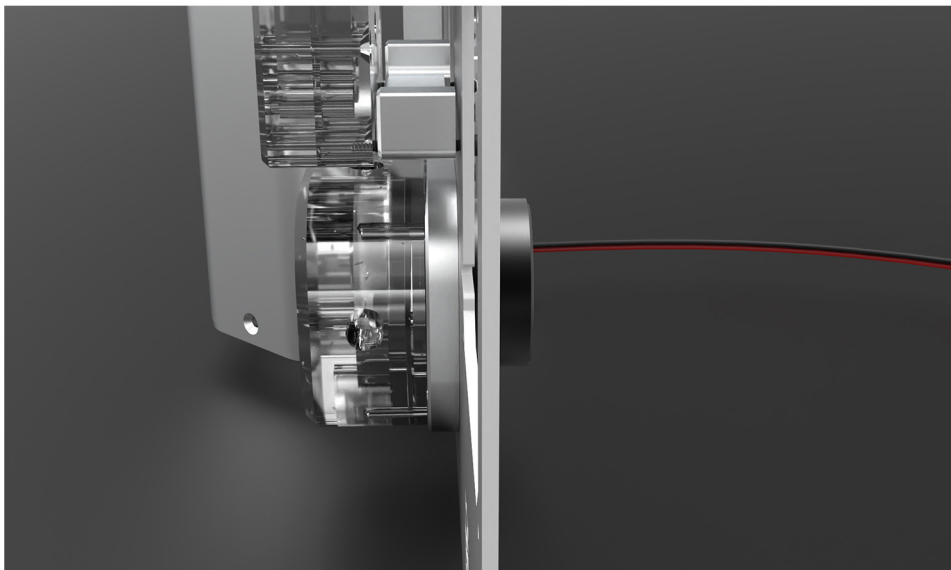
Spectre for The Crow



- 13** There are two areas where you can fit your Spectres. Both are shown in red rectangle in the picture above.



- 14** Make sure to put your cable through the hole of the wallmount first before placing the D5 pumps base into the hole. Be careful not to scratch the PSU shroud which is very close to the hole on the right side.

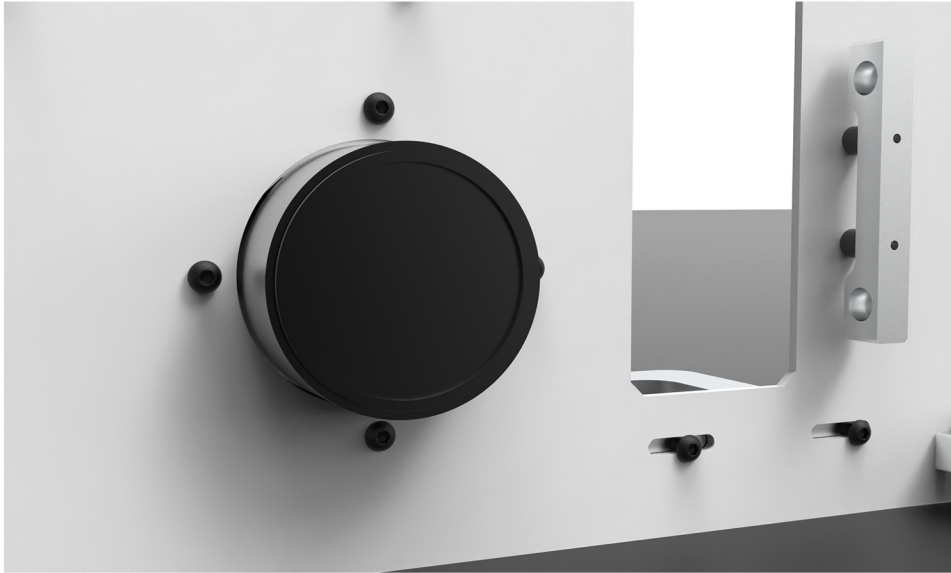


- 15** This is what it should look like when looking at it from the side.

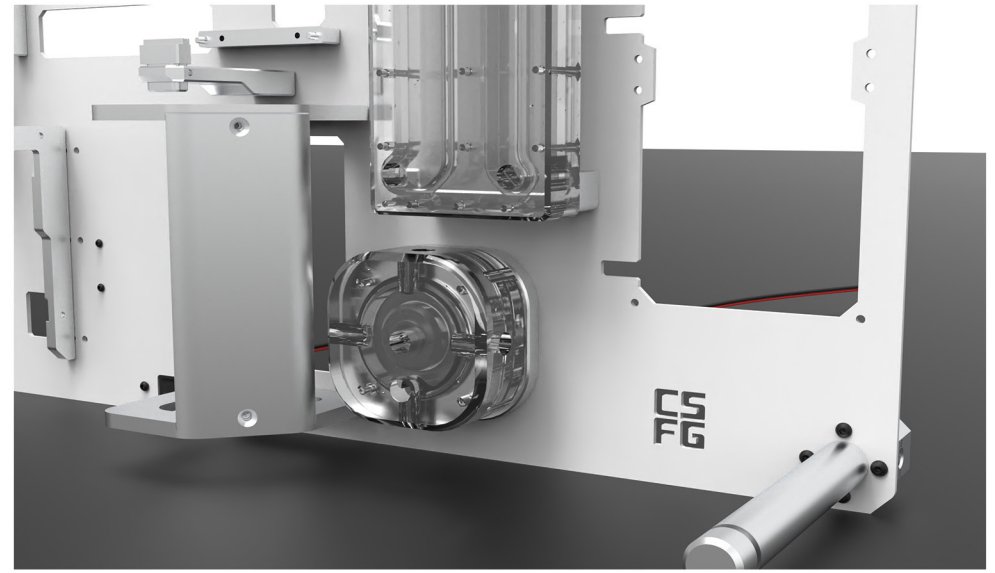


- 16** Use 4 pieces of M4x8mm screws (black) with silicon washers to fasten the D5 pump to the chassis.

Spectre for The Crow



17 Tighten the screws with the allenkey until it's secure.



18 This is what it should look like when finished. Repeat the procedure with the other pumptop.



19 Your final destination with Spectres should look like that.